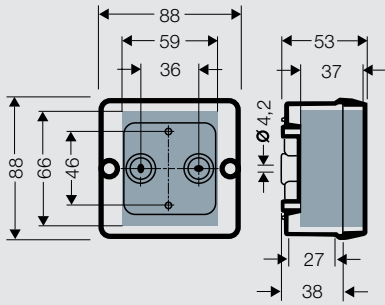
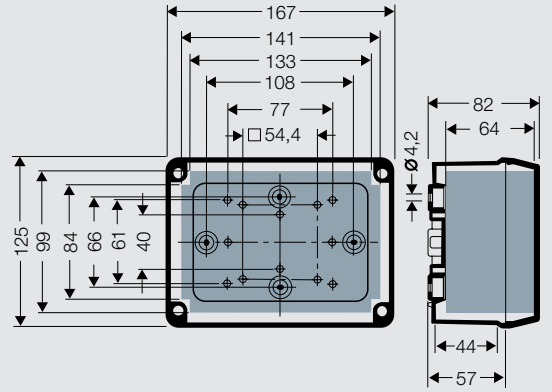


ENVCASE

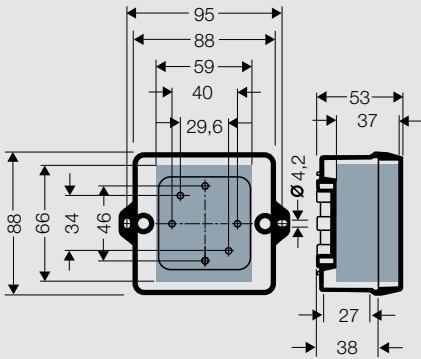
- D 8020
- D 9020
- D 9220
- KF 4020
- KF 5020
- KF 7020
- KF 8020
- KF 9020
- KD 5020
- KD 4020



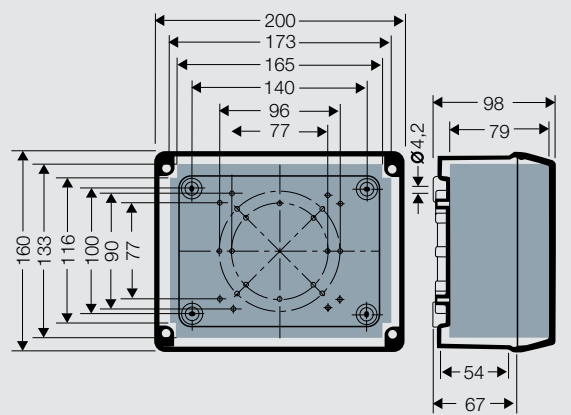
- K 8100
- K 9100
- KF 4100
- KF 5100
- KF 7100
- KF 8100
- KF 9100
- KD 4100
- KD 5100



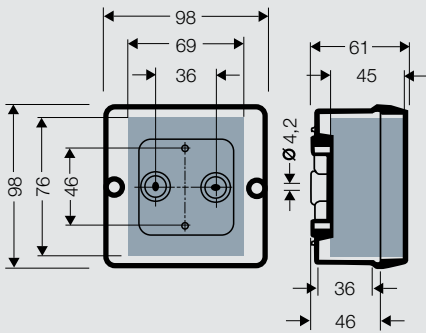
- D 8120
- D 9120
- KD 4120
- KD 5120
- KD 5125



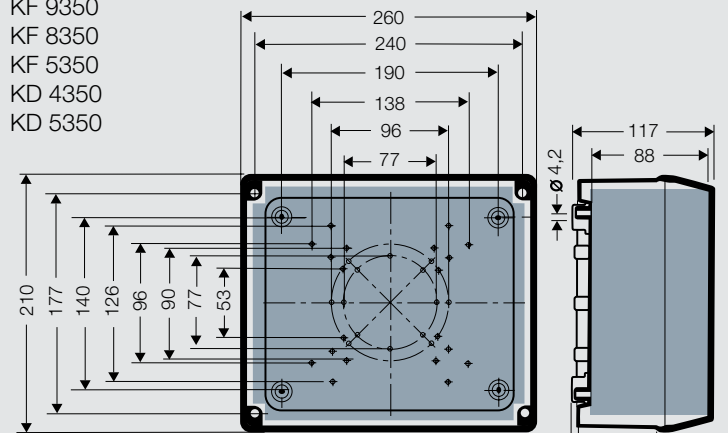
- K 8250
- K 9250
- KF 4250
- KF 5250
- KF 7250
- KF 8250
- KF 9250
- KD 4250
- KD 5250



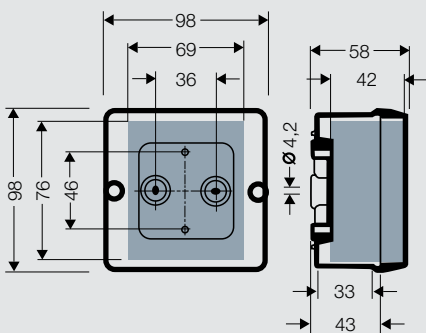
- D 9040
- KF 5040
- KF 9040
- KD 5040



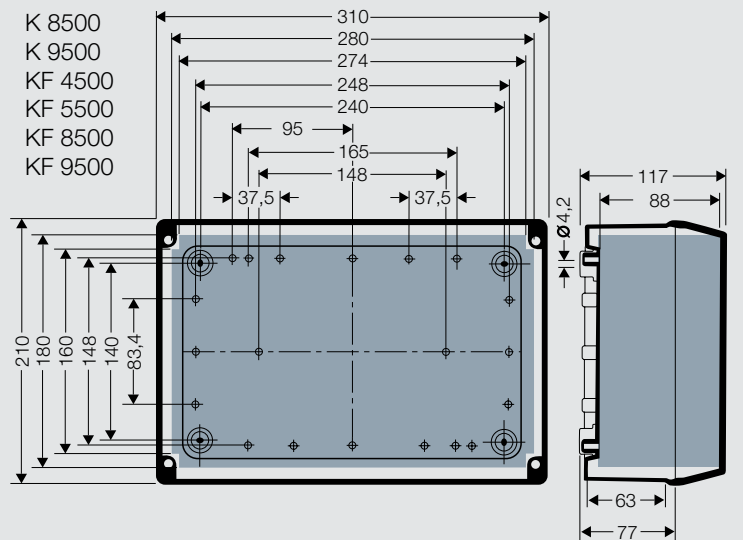
- K 9350
- KF 4350
- KF 9350
- KF 8350
- KF 5350
- KD 4350
- KD 5350



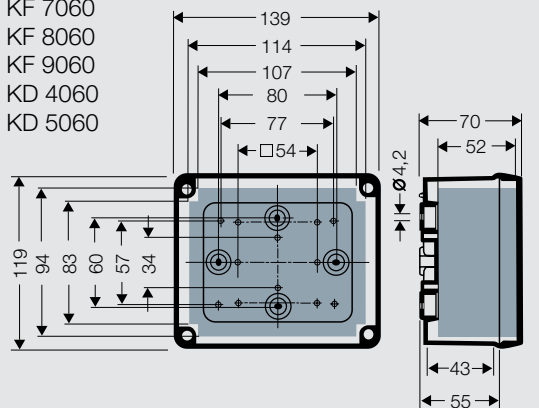
- D 8040
- KF 4040
- KF 7040
- KF 8040
- KD 4040



- K 8500
- K 9500
- KF 4500
- KF 5500
- KF 8500
- KF 9500

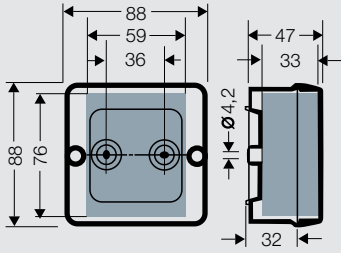


- K 8060
- K 9060
- KF 4060
- KF 5060
- KF 7060
- KF 8060
- KF 9060
- KD 4060
- KD 5060

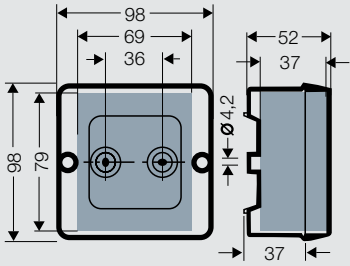


= usable installation space when cable glands are attached

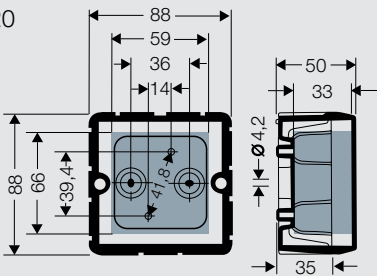
DE 9320  
 DE 9321



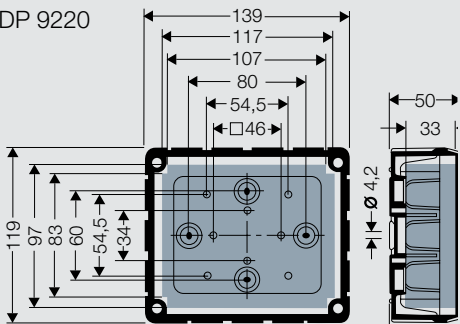
DE 9340  
 DE 9341



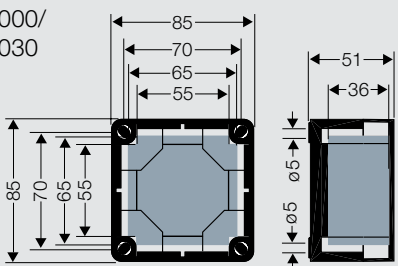
DP 9020



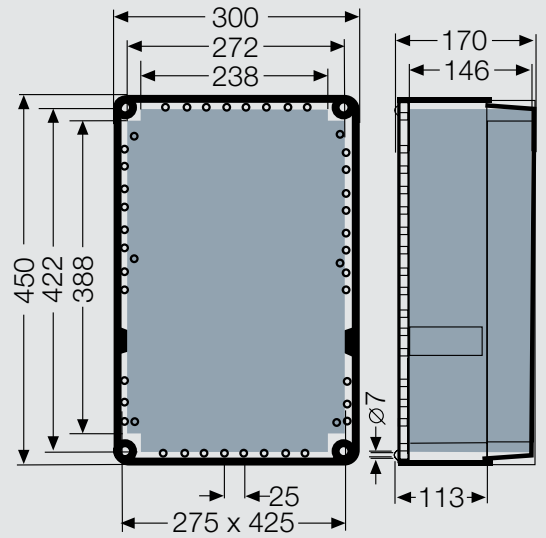
DP 9220



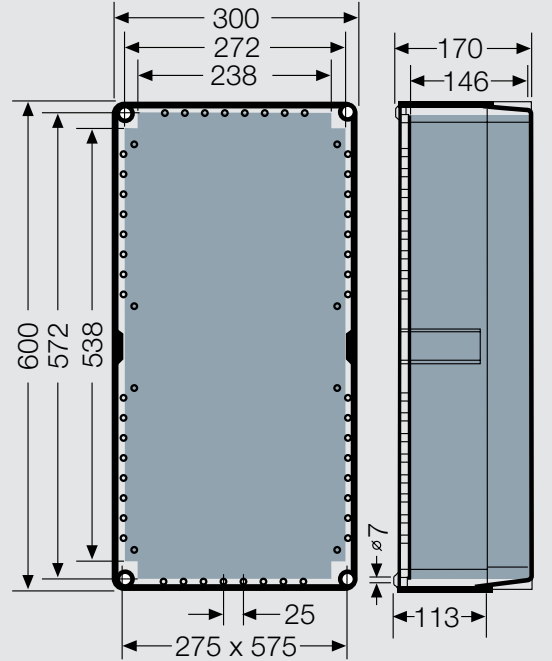
DN 2000/  
 DN 2030



K 7004  
 K 7005  
 K 7042  
 K 7052  
 K 1204  
 K 1205



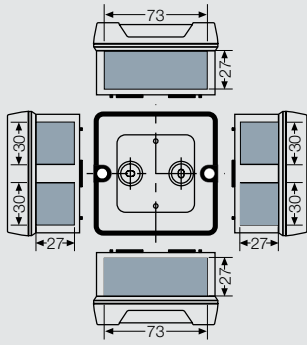
K 2404  
 K 2405



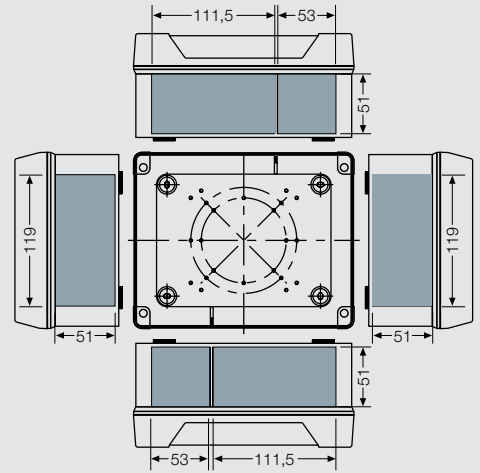
= usable installation space when cable glands are attached

ENYCASE

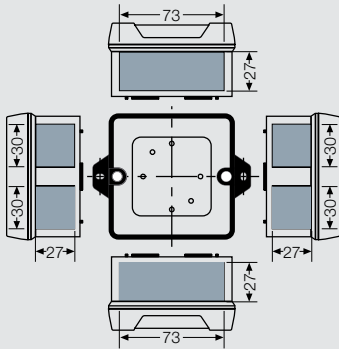
D 8020  
KF 8020  
KF 4020  
KF 7020  
KD 4020



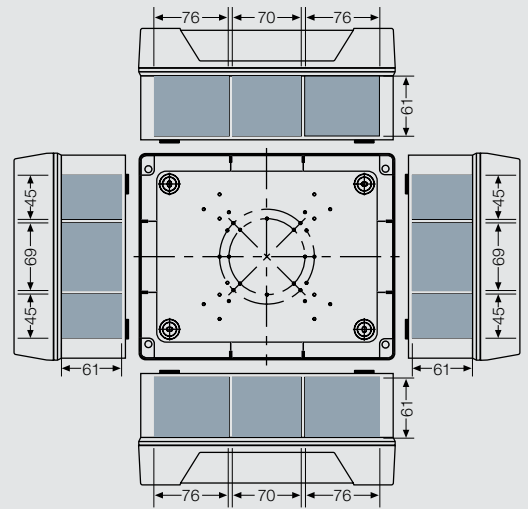
K 8250  
KF 8250  
KF 4250  
KF 7250  
KD 4250



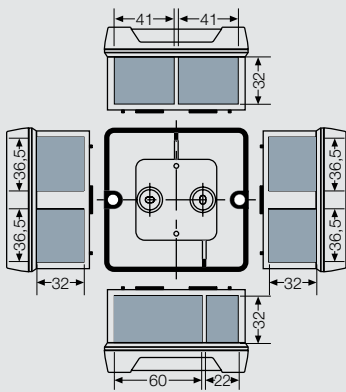
D 8120



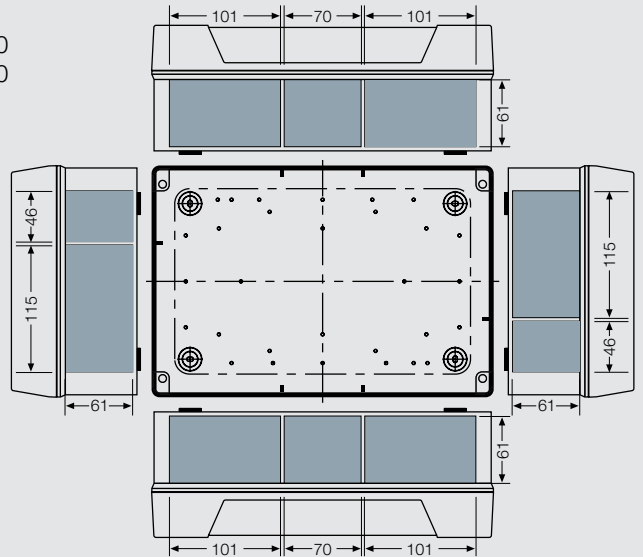
K 8350  
KF 8350  
KF 4350  
KD 4350



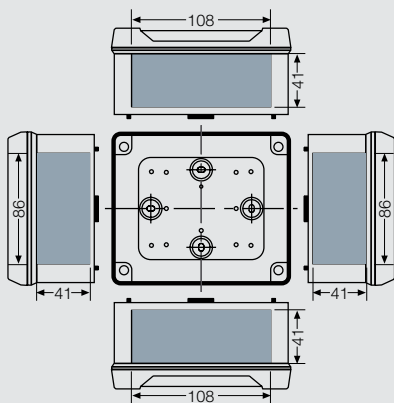
D 8040  
KF 8040  
KF 4040  
KF 7040  
KD 4040



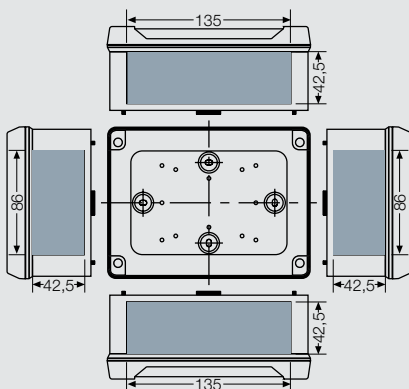
K 8500  
KF 8500  
KF 4500



K 8060  
KF 8060  
KF 4060  
KF 7060  
KD 4060

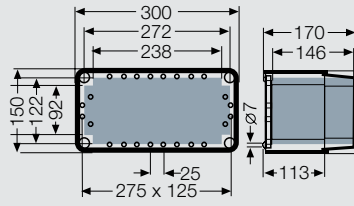


K 8100  
KF 8100  
KF 4100  
KF 7100  
KD 4100

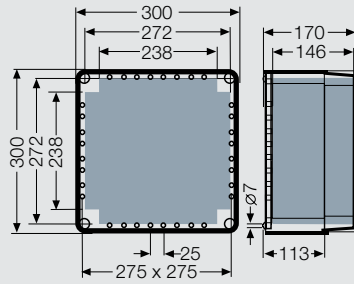


= usable installation area in box walls

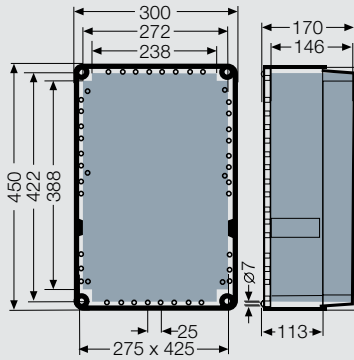
K 0100  
K 0101



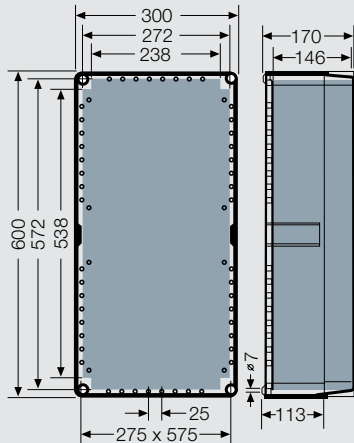
K 0200  
K 0201



K 0300  
K 0301



K 0400  
K 0401



= usable installation area in box walls