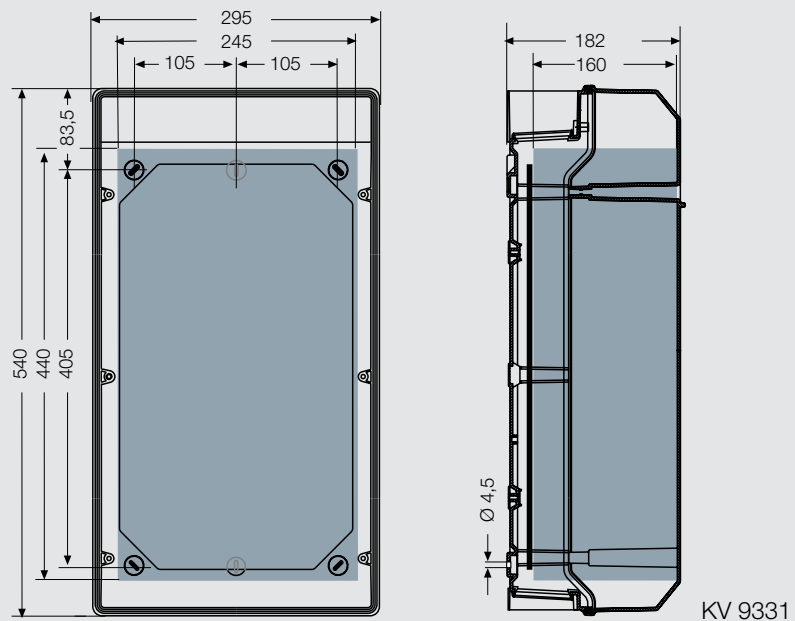
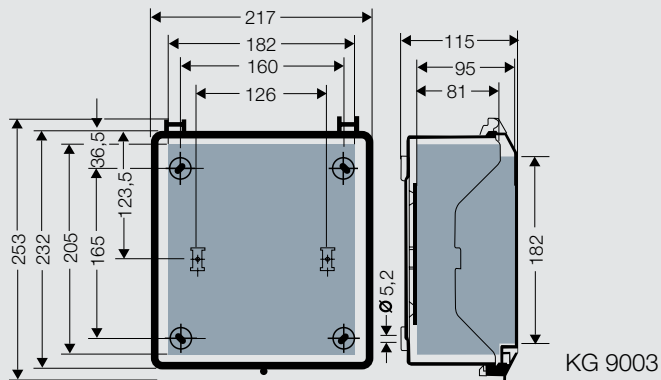
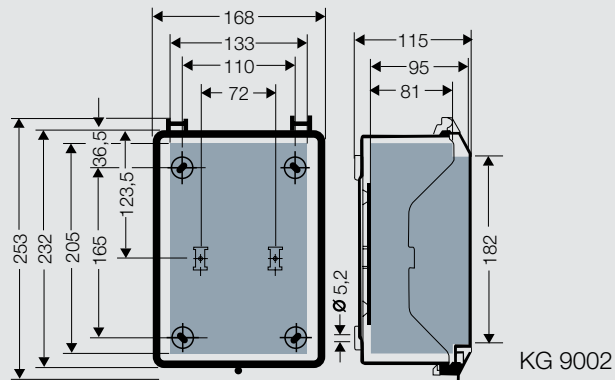
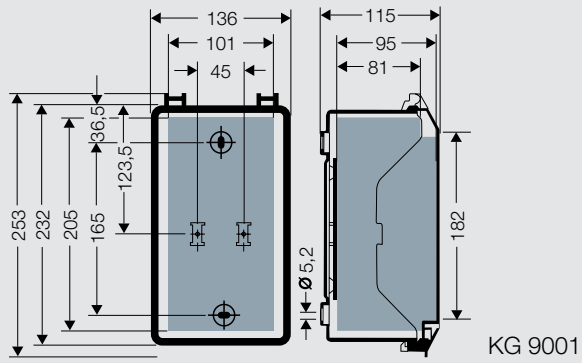


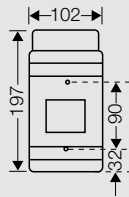
Detail dimensions in mm

= usable installation space when cable glands are attached

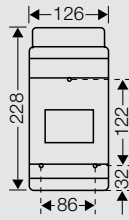


Mounting dimensions in mm

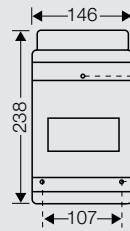
KV Circuit breaker boxes
3 modules



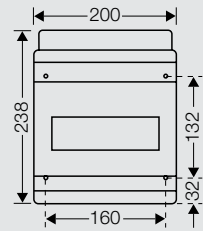
KV Circuit breaker boxes
4.5 modules



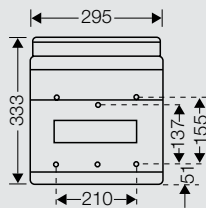
KV Circuit breaker boxes
6 modules



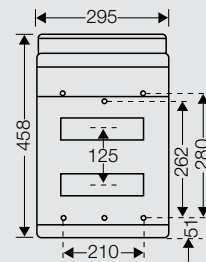
KV Circuit breaker boxes
9 modules



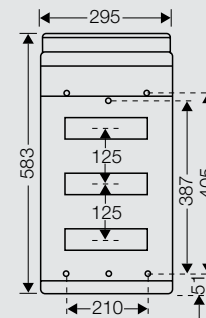
KV Circuit breaker boxes
12 modules



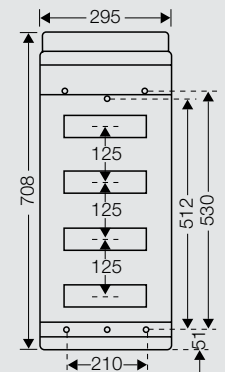
KV Circuit breaker boxes
2 x 12 modules



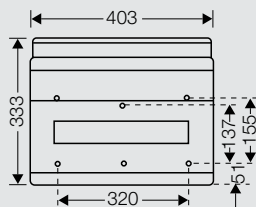
KV Circuit breaker boxes
3 x 12 modules



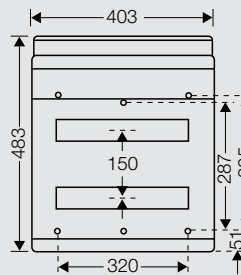
KV Circuit breaker boxes
4 x 12 modules



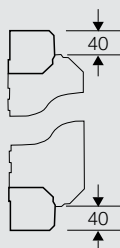
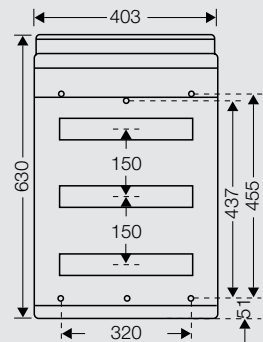
KV Circuit breaker boxes
18 modules



KV Circuit breaker boxes
2 x 18 modules



KV Circuit breaker boxes
3 x 18 modules



Cable entry cover for KV Circuit breaker boxes IP 54 and IP 65 with 12-54 modules mounted on top and the bottom