

## Configurator ENYGUIDE

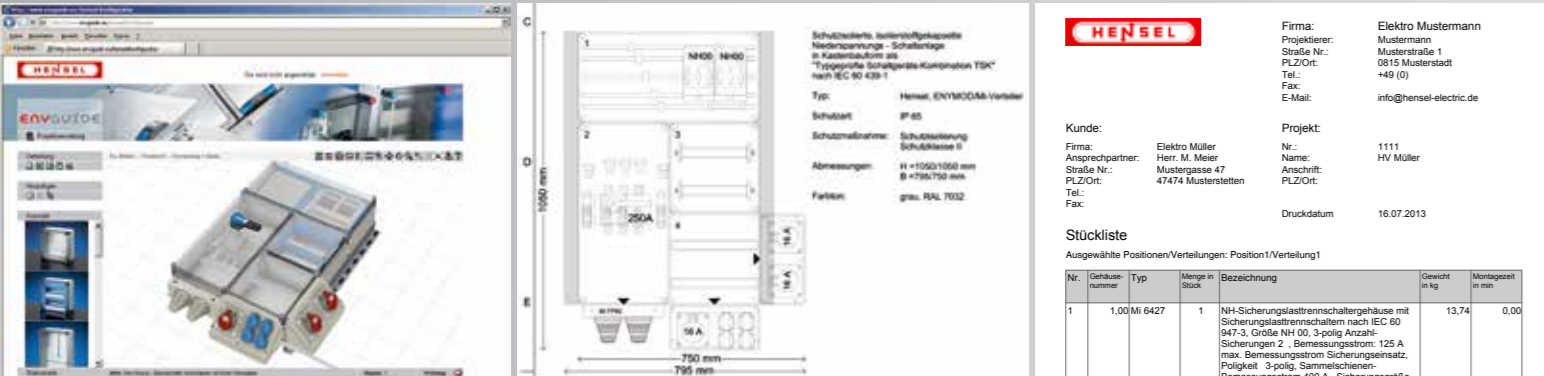
supports design and project engineering of Mi distribution boards

The intuitively usable 3D planning tool supports electricians, electrical engineers and wholesalers during design, project engineering and ordering of Mi distribution boards.

- Data export of the installation layout in a dxf-format, the parts list in either a ASCII or Excel format.
- Testing of the mechanical assembly incl. automatically necessary supplements, e.g., box walls, busbar connectors etc.
- Different layers with the projection of assemblies, covers and doors, e.g., behind protection covers

## ENYGUIDE

Online via the Internet at [www.enyguide.eu](http://www.enyguide.eu) or offline on CD-ROM.



- Comfortable project engineering with the configurator in 3D.
- Generation of the layout for electricians.
- Automatic creation of the parts and order list.



PASSION FOR POWER.

### Hensel – KS UK Ltd.

Weston Business Centre  
Office no. 84  
Hawkins Road  
Colchester, Essex CO2 8JX  
United Kingdom

Phone: 01206 266912/13  
Fax: 01206 266915

info@hensel-ks.co.uk  
www.hensel-ks.co.uk

## Representations abroad



[www.hensel-ks.co.uk](http://www.hensel-ks.co.uk)

**Africa**  
Angola  
Egypt  
Mozambique  
Republic of Mauritius  
South Africa

**America**  
USA

**Asia**  
Bangladesh  
Bhutan  
China  
India  
Indonesia  
Japan  
Kazakhstan  
Maldives

Myanmar  
Pakistan  
Philippines  
Singapore  
Sri Lanka  
Taiwan  
Thailand  
Vietnam

**Europe**  
Albania  
Austria  
Belgium  
Bosnia-Herzegovina  
Croatia

Czech Republic  
Denmark  
Estonia  
Finland  
France  
Great Britain  
Hungary  
Iceland  
Ireland  
Israel  
Italy

Latvia  
Lithuania  
Luxembourg  
Macedonia  
Montenegro  
Netherlands  
Norway  
Poland  
Portugal  
Romania  
Russia

Serbia  
Slovakia  
Slovenia  
Spain  
Sweden  
Switzerland  
Turkey  
Ukraine

**Middle East**  
United Arab Emirates  
Bahrain  
Iran  
Kuwait  
Oman  
Qatar  
Saudi Arabia

**Oceania**  
Australia  
New Zealand

98 17 0851 03.17/3/11



PASSION FOR POWER.

## Safe, even in extreme environments!

Mi Power distribution boards up to 630 A



## Combinable system

for the assembly of power switchgear and controlgear assemblies (PSC) up to 630 A



- According to IEC 61 439-2
- Power distribution board up to 630 A as power switchgear and controlgear assembly (PSC)
- Degree of protection IP 65
- Protection class II, □
- EMC compliant busbar system
- Certified by ASTA
- Suitable for indoor installation and outdoor installation, protected against weather influences
- Pre-assembled enclosures with standardised kits up to 630 A
- Proven in commercial buildings in rough industrial atmospheres and difficult environments.



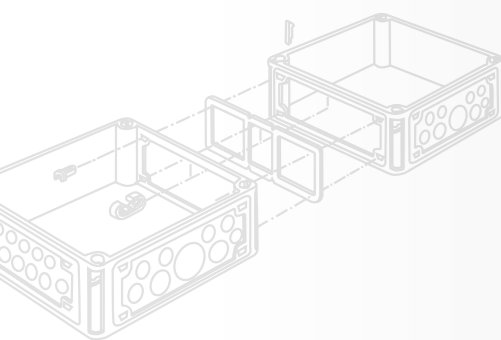
- Safe even in extreme environments such as dust, dirt, humidity and in harsh industrial environments.
- For protected installation outdoors, here e.g., with canopy



ENYMOD

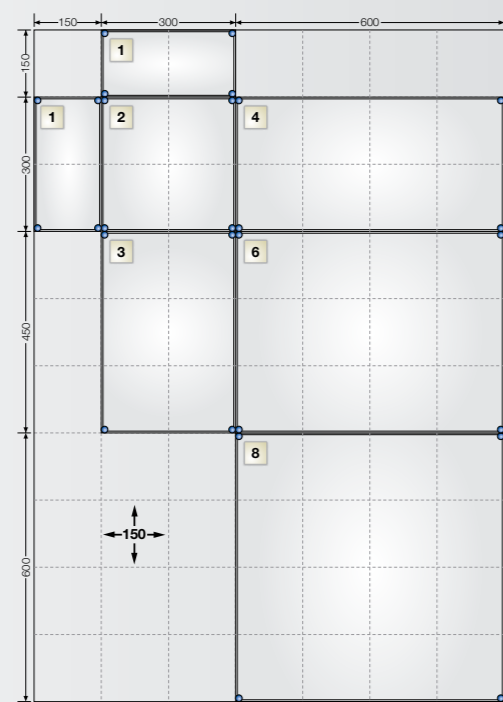
## Modular enclosure system

to built up power switchgear and controlgear assemblies (PSC) up to 630 A according to IEC 61439-2



### Combinable in all directions

- Six box sizes can be combined in all directions and can also be used as an individual box.
- New enclosure size 6 (600 x 450 mm): Due to an enlarged terminal compartment directly in the housing, some electrical functions can be installed more economical.
- An additional enclosure for wiring is not necessary.
- The combinable system is ideally for the fast and simple assembly up to 630 A



## High quality material

for demanding applications

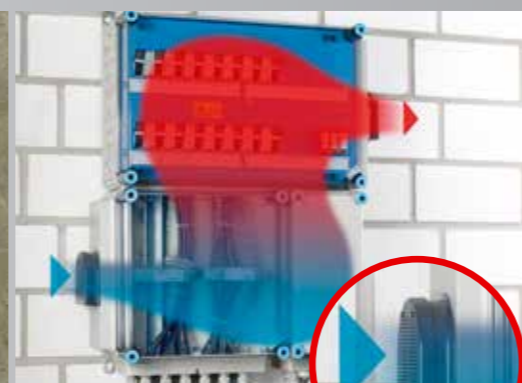
- Flame-retardant, self-extinguishing burning behaviour: Glow wire test 960° C according to IEC 60 695-2-11
- UV resistant



- Robust and resistant: Mi distribution boards are resistant to dust and water and withstand the harshest conditions



- Safe even in the most extreme weather conditions outdoors, e.g., with a canopy.



- Ventilation facilities to reduce the formation of condensation



- Cover strips cover the equipment openings from accidental contact.



- Protection covers for operating devices and bus-mounted devices for protection against contact



- Protection class II, □ (Total insulation)
- Appropriate accessories and enclosures with removable DIN rail rack and earth connection allow to build up distribution boards in protection class I (earthed).



- Main line distribution boards



- Changeover switch boxes (I-0-II) reliably switch to backup power sources
- Inverter collector
- Connection of generation facilities

## Connection-ready solutions

for special applications



## Easy and flexible

during assembly, connection and installation



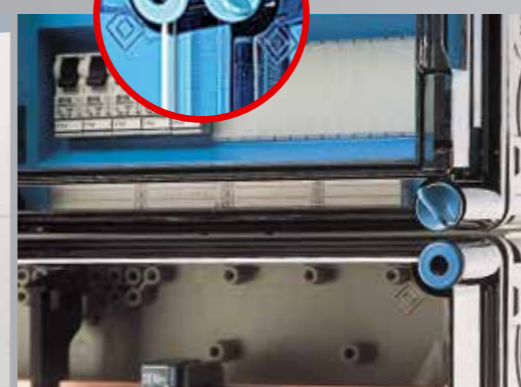
- Removable box fin to insert cables via two boxes or a simpler wiring



- The cable insert allows inserting cables from the front.



- External brackets or mounting profiles for wall fastening



- Depending on the electrical function operate the cover manually (for unskilled persons) or with tools (for skilled persons)



- Lid lock prevents unauthorised opening of cover



- A hinged lid for simple operation of equipment.



- Individual box with electrical functions ...



- ... can be built individually by the electrician for a distribution board.

## Always the suitable locking system

for access and operation areas



## Combinable solutions

for the self-assembly of distribution boards up to 630 A